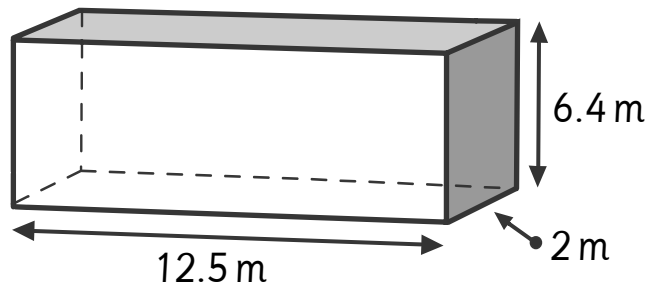




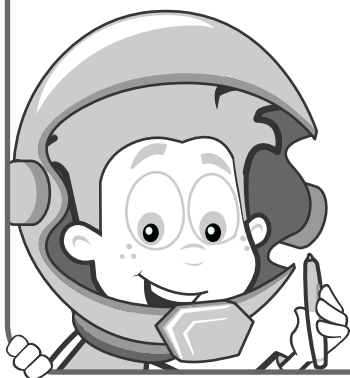
Name: _____ Class: _____

Draw a net for and find the surface area of each 3-D figure.
Show your work.

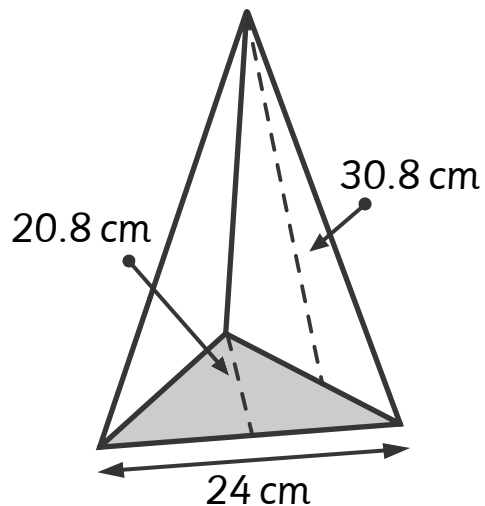
1



rectangular prism



2



triangular pyramid